



Fitting type: Undermount or Inset

Sink handing: Left hand main bowl

Finish style: Brushed Steel

- **Min. base unit (mm):** 600 (inset) 600 (undermount)
- **Packaged size L x W x D:** 700 x 500 x 240mm
- **Supplied boxed or sleeved:** Boxed
- **Boxed weight:** 6.88 kg
- **Sink only weight:** 4.22 kg

- Can be fitted as inset or flushmount
- Durable 304 stainless steel construction throughout
- Easy clean bowl curves
- Model can be undermounted or inset fitted
- Stainless steel wastes and pipework included

Included parts:



2 x AX1005R (m)
90mm (1.5") Basic manual basket strainer waste - short bolt - Multi ray



2 x AX1006 (m)
Rectangular overflow pipework



1 x AX4029 (m)
Fitting & care instructions & data sheet - st/st inset or undermount



1 x AX1109 (m)
Inset stainless steel fixing clips x 12



2 x AX1174 (m)
6 x undermount clips / 6 x M6 x 23mm domehead screw / 6 x 7.5mm M6 brass tapex



1 x AX1009 M
1.5 or 2.0 Bowl pipework

Recommended accessories:


All accessories can be purchased directly from www.abode-shop.co.uk or phone 01226 283434

Materials & workmanship warranty summary:

- Sink materials & workmanship 10 years.
- Waste kits 1 year.
- Connecting pipework 1 year.

Care instructions summary:

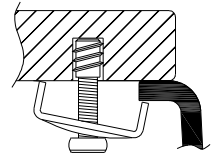
- Clean the products regularly using soapy water and a non-abrasive cloth, regular cleaning will prevent the build-up of lime scale and dirt.
- Avoid contact with corrosive or abrasive substances.
- After cleaning rinse thoroughly with clean water then dry.
- For more detail see supplied booklet or www.abodedesigns.co.uk

Product dimensions and installation information: note:  symbol indicates position of acoustic pad on stainless products.



***Important, fabricator / installer notes for undermount & Flushmount sinks:**

The cut out size indicated is aligned with outside edge of the bowl top radius (similar to the example below).



You should confirm with your client if the worksurface cutout is to be cut flush, inside or outside this suggested perimeter shape & size.

If you create the cutout smaller or larger than the indicated size then the fit of the accessories may be affected and should be physically checked.

General:

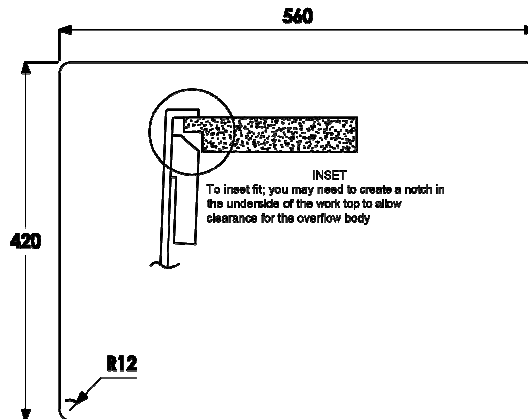
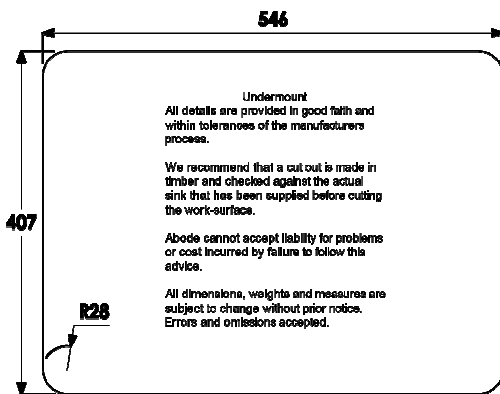
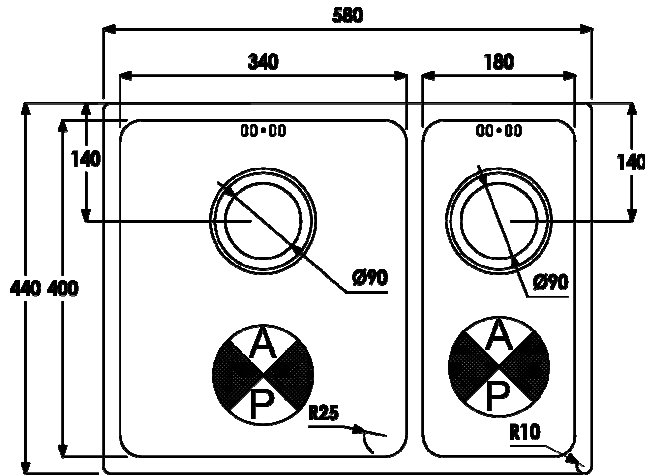
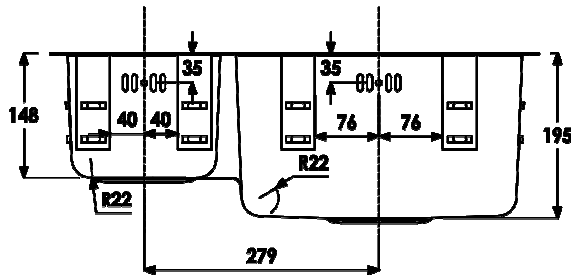
All details are provided in good faith but do not include the tolerances of the material or manufacturing process.

We request that a test cutout is made in scrap timber and checked against the actual sink to be installed before committing to cutting the final worksurface.

Abode can not accept liability for problems or costs incurred by failure to follow this request.

Note: the dimensions on ceramic fireclay products are subject to wider tolerances due to the nature of this natural material and the firing process.

CAD cutout files can be downloaded from www.abodedesigns.co.uk



Additional notes:

Overall product size: 580 x 440 x 195, corner radius 10 mm

Taphole(s) detail: None

Wastehole(s) detail (mm): 90 / 90 / N/A

Min. base unit (mm) (refers to space required for bowl, tap and overflow only): fits 600 (inset) 600 (undermount) carcass

Min. Recessed fitting width (mm): required (bowl(s), tap and overflow:

***Worktop cut out size (mm):** 565 x 425, corner radius 12, for .DXF cut files please see our website

Min. & Max worktop depth or clip depth reach range (mm): 0 - 55

Fitting temple supplied? No, use cut out instructions as supplied

Dishwasher under drainer? Distance from top of worktop to underside of the drainer n/a mm

Bowl details: (sizes in mm unless specified otherwise)

Bowl 1 (typically main bowl):

Bowl 1 size L x W x D (mm): 340 x 400 x 200

Bowl 1 construction: Pressed, 1.00 mm

Bowl 1 floor radius (mm): 22

Bowl 1 Wastehole diameter (mm): 90

Bowl 1 overflow: Slotted, std equal pattern

Bowl 1 texture: Brushed stainless

Bowl 1 apx. volume (litres): 20.00

Bowl 2 (typically 1/2 or 3/4 bowl):

Bowl 2 size L x W x D (mm): 400 x 180 x 150

Bowl 2 construction: Pressed, 1.00 mm

Bowl 2 floor radius (mm): 22

Bowl 2 Wastehole diameter (mm): 90

Bowl 2 overflow: Slotted, std equal pattern

Bowl 2 texture: Brushed stainless

Bowl 2 apx. volume (litres): 7.00

Bowl 3:

Bowl 3 size L x W x D (mm): N/A x N/A x N/A

Bowl 3 construction: N/A, N/A mm

Bowl 3 floor radius (mm): N/A

Bowl 3 Wastehole diameter (mm): N/A

Bowl 3 overflow: N/A

Bowl 3 texture: N/A

Bowl 3 apx. volume (litres): N/A

